

D'Shannon Aviation

PANEL INSTALLATION INSTRUCTIONS

Disconnect the battery posts

1. Windshield Removal

NOTE: If the aircraft is equipped with a D'Shannon speed sloped windshield, you will not have to do this operation.

- A. Remove the windshield trim strips.
- B. Use masking tape to protect the painted interior structure.
- C. Mark the direction and location of the interior molding mounting brackets on the masking tape.
- D. Do not save the windshield screws since you will need to reinstall the windshield with stainless steel screws.
- E. After removing the two windshield halves, clean the remaining windshield sealant from the opening.

2. Removal of the Panel Top

- A. Remove the padded panel cover. It is glued on to the panel on top. The rolled edge is attached with clips that can be removed by inserting a flat screwdriver between it and the panel.
- B. After you have removed the padded cover, you will notice rivets and four screws, as shown in Illustration #2. Remove all noted rivets and the four screws. Make note that there is a hidden row of countersunk rivets going from left to right, about two inches aft of the lower windshield flange.
- C. After all rivets and screws have been removed, pull the panel top up. You will then have access to the clamp which holds the defroster hose to the panel. This should be removed.

3. Panel Removal: Keyboard Up

A. Remove the stall warning lamp by taking the nut off of the panel front.

NOTE: Do not cut wires.

B. Remove all vacuum lines, oil and gas from the instruments. Also cut any wires going to the main floating panel.

C. Remove the two bolts from the two shock mounts. You can also cut the two ground straps.

D. Lift the panel straight up and put it aside for now.

E. Use a tin snips to remove the upper panel fascia.

4. Keyboard and Lower Panel Removal

A. Now that the upper panel has been removed, you will be able to see the aircraft's main wire bundle. Carefully cut all wires at the switch and/or circuit breaker.

NOTE: Do not cut or remove any wires completely from the gear switch or panel.

B. Remove the plastic handle from the cowl flap cable. This cable is to be removed without being broken. This cable and the firewall shut-off cable must be cut out of their mountings so that they can be reinstalled in the new panel.

C. Drill off the attaching rivets on each end of both the keyboard panels and remove them.

5. Center Throttle Quadrant

A. On this section all wires, flaps and gear lamps must be removed. Also, the plastic fascia and ignition switch must be removed.

B. Remove the yoke trim bezel, then trim the two sides of the center sections which wrap around to hold the plastic bezel. To do this, you will need a carbide disc. Trim these two sides so that they do not stop the new panel from fitting flush with the old center panel. See illustration #4.

C. Remove the knobs from the throttle and prop controls.

- D. Now finish cleaning both the right and left fuselage so that you will be able to trial-fit the new main panel.
- E. Move the trim wheel inboard and cut off the shaft that is not needed -- approximately 1.5 inches.

6. New Panel Installation

- A. Assemble the new panel. Refer to illustration #7. Apply finish to the main panel and then mount the right and left sections to the panel.
- B. To get the new panel to fit, you will have to trim some of the left interior panel. Start the left side into place and then slip the throttle and prop through the holes in the panel. File as necessary.
- C. With the aircraft leveled side to side, use a level on the top of the new panel. When it is level, back drill through the three screw holes that secure the yoke collar -- and install that collar.
- D. Install the supplied bracket at the left upper corner of the panel. See illustration #5. This is riveted to the skin and the bulkhead. Before installing this bracket, make the face of this panel parallel to the firewall.
- E. Rivet the right side into the door opening. It will be necessary to bend the panel forward, starting at the radio rack opening.
- F. Install the switches, breakers and cable into the proper holes. Wire panel and radios as necessary. Transfer wires from the old gear switch. NOTE: The old switch was previously installed upside-down because of the keyboard. Switch and wires should be adjusted accordingly.
- G. Install floating panel bracket and two brackets to the top of the main panel.
- H. Install the instruments in the floating panel and then install the panel in the aircraft.
- I. Cover the new glare shield and install it. Replace windshield molding.
- J. Make all system checks and install all required placards. Make log entries and new weight and balance sheets.

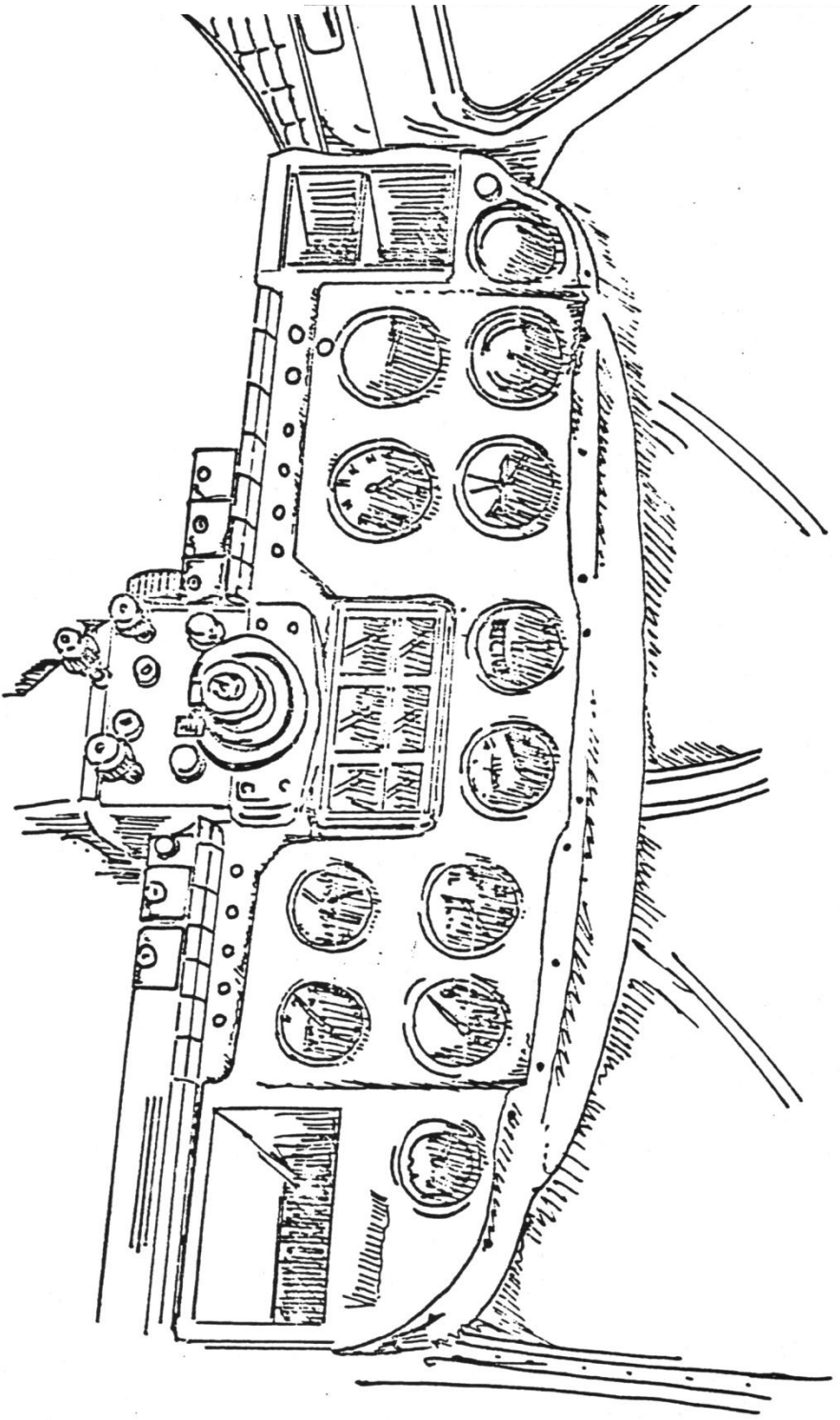
Enjoy your new panel!

RIGHT SIDE

- | | |
|-----------|--------------------------------|
| 1. W4-18 | SPLICE L→R GEAR HORN |
| 2. W5-18 | GEAR HORN BREAKER |
| 3. W29-18 | SPLICE L→R GEAR HORN |
| 4. | |
| 5. Q22-18 | RIGHT AUX FUEL |
| 6. Q4-18 | RIGHT MAIN FUEL |
| 7. | |
| 8. F9-18 | GEAR UP INDICATOR RED |
| 9. F11-18 | NOSE GEAR DOWN INDICATOR GREEN |
| 10. | RIGHT MAIN DOWN GREEN |

FOLLOWING PLUGS MARKED WITH BLUE STRIPE

- | | |
|-----------|--------------------|
| 1. P16-18 | TO GEN SWITCH |
| 2. P17-18 | MASTER SWITCH |
| 3. P22-18 | STARTER SWITCH |
| 4. P67-18 | GEN SWITCH |
| 5. E3-18 | OIL TEMP |
| 6. | CYLINDER TEMP |
| 7. L9-18 | NAV LAMP RIGHT |
| 8. L12-14 | RIGHT LANDING LAMP |
| 9. | |
| 10. | |



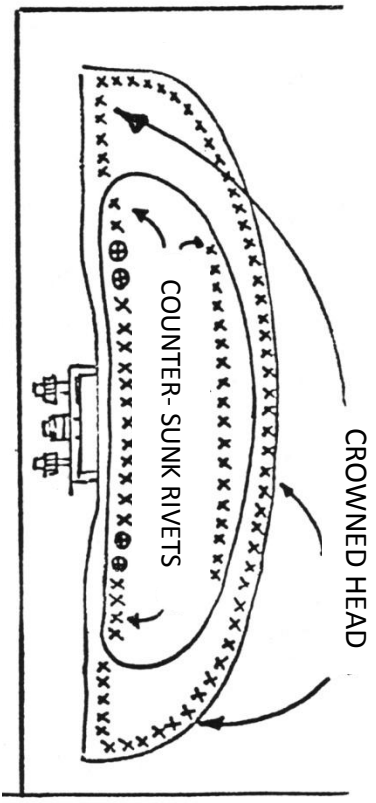
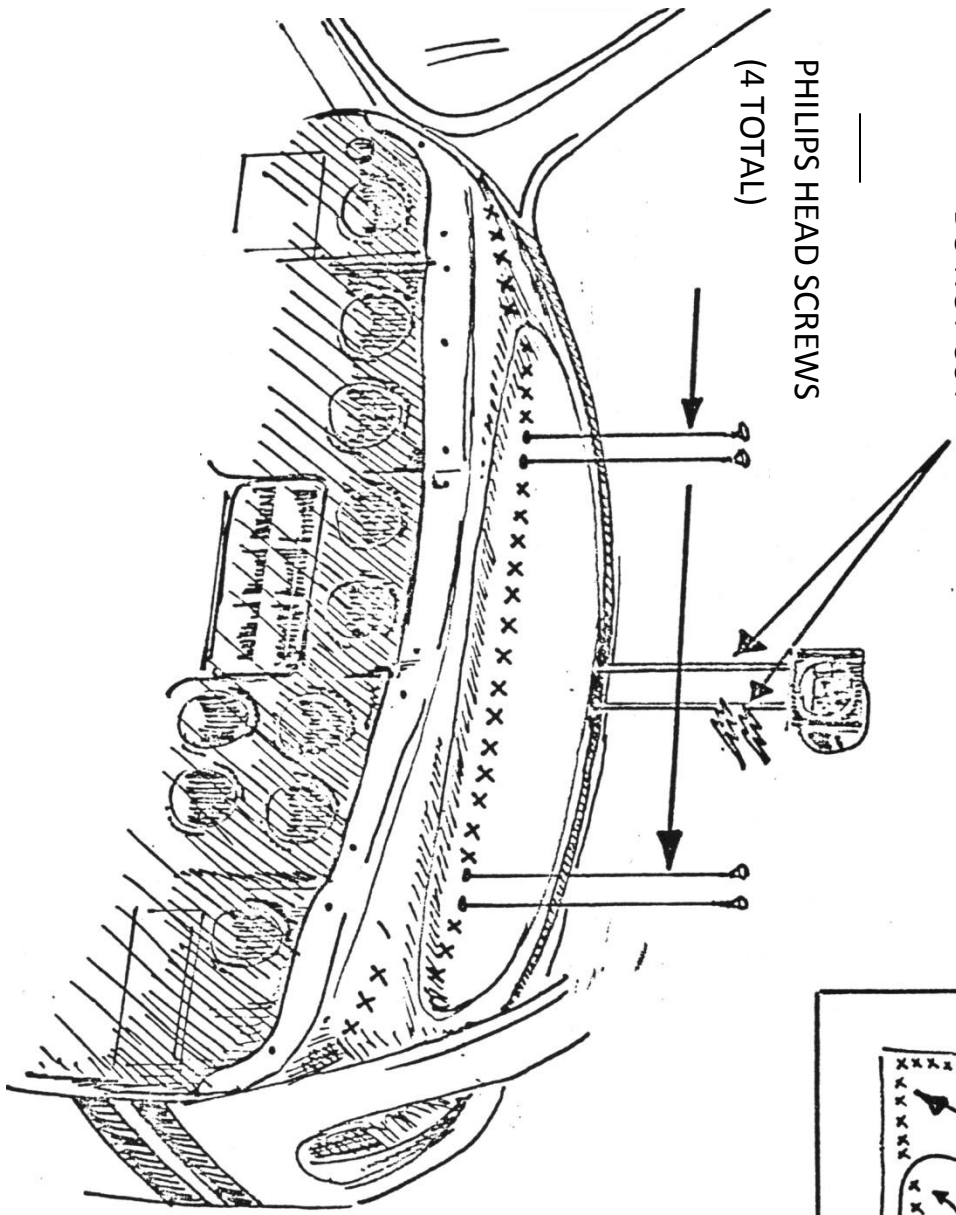
REV A

MASTER PANEL ILLUSTRATION
PAGE 1 OF 7
PARTIAL DISASSEMBLY

REV A

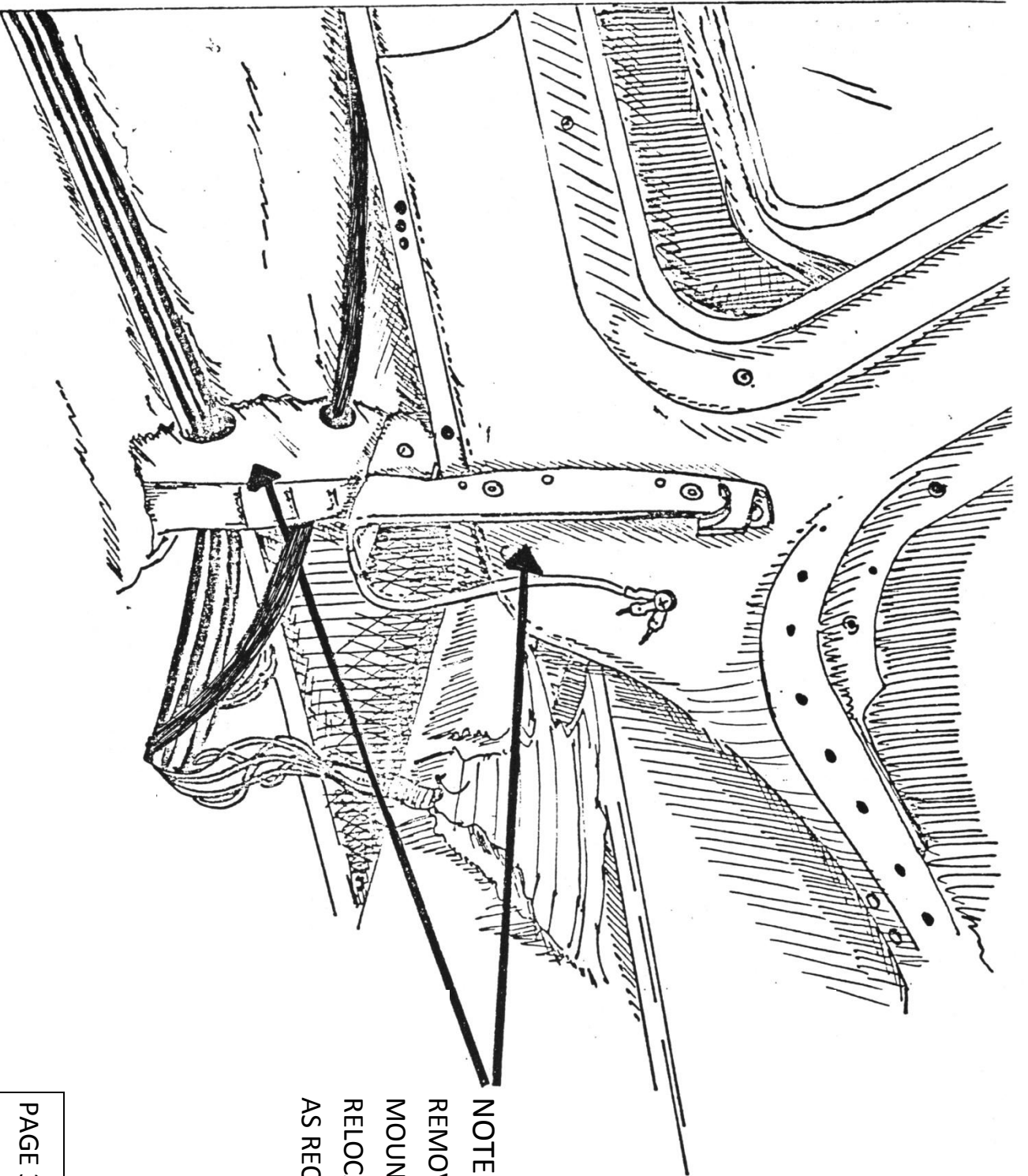
NOTE:
COMPASS WIRES
DO NOT CUT

PHILLIPS HEAD SCREWS
(4 TOTAL)



RIVET LOCATIONS

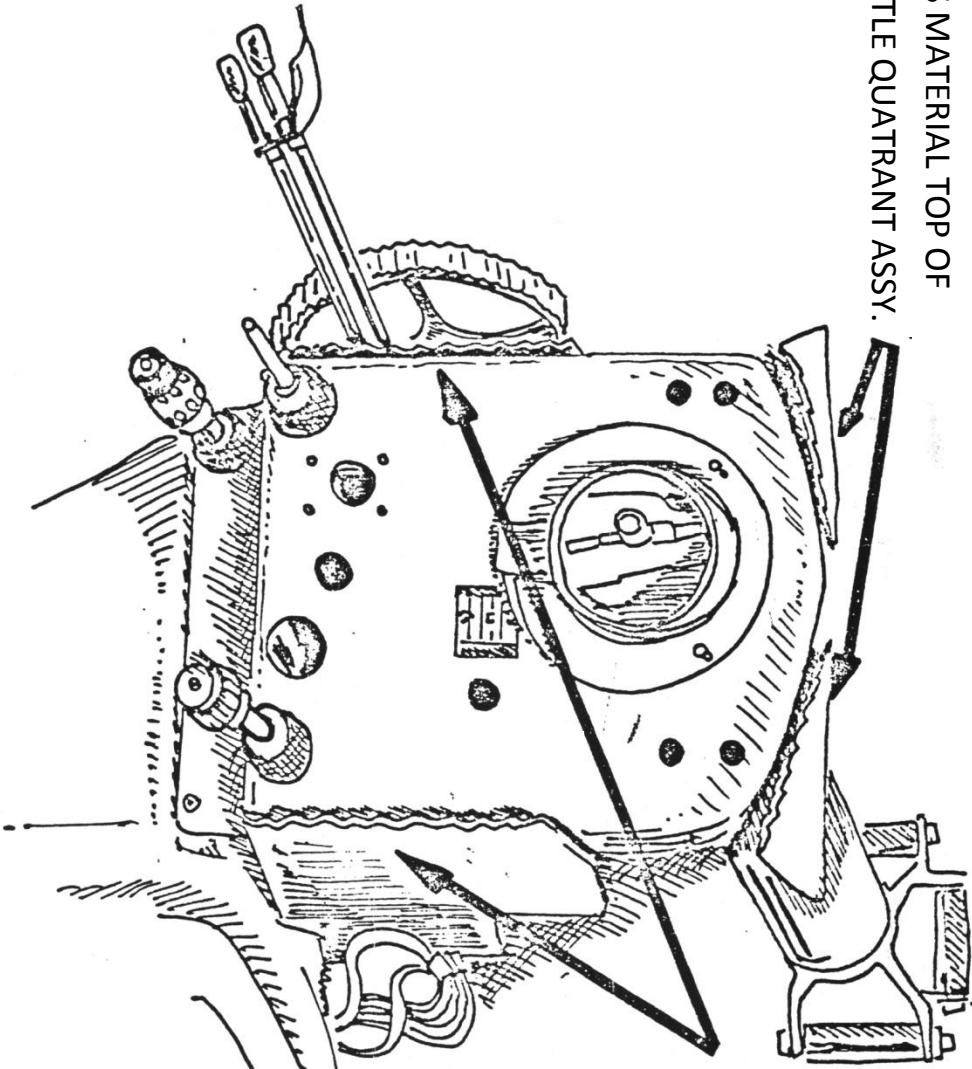
REV A



NOTE:
REMOVE OLD PANEL
MOUNT STRUCTURE AND
RELOCATE WIRING
AS REQUIRED

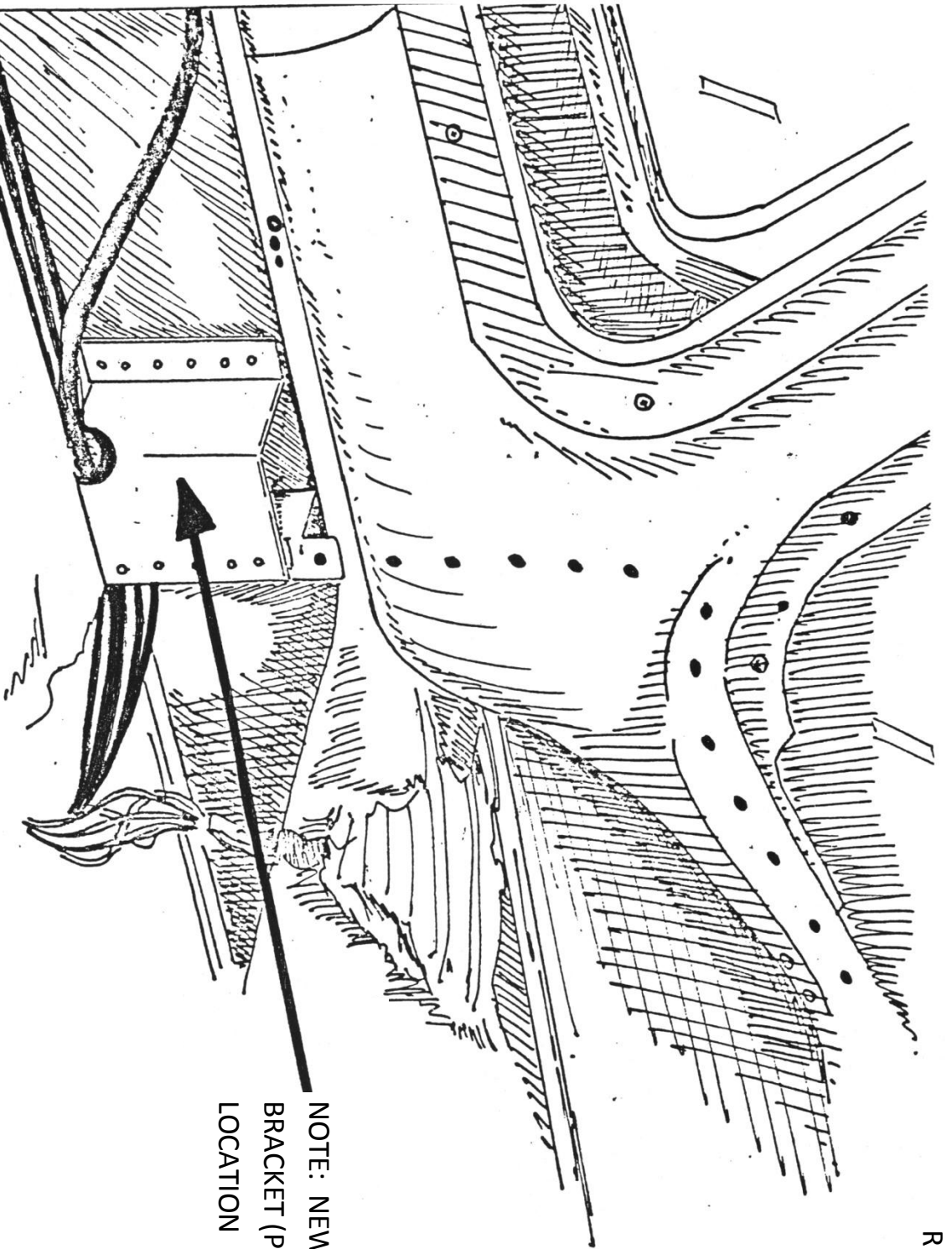
PAGE 3 OF 7
OLD BRACKET ILLUSTRATION
DWG. NO. 1998ASUP3

EXCESS MATERIAL TOP OF
THROTTLE QUADRANT ASSY.



NOTE: REMOVE EXCESS
MATERIAL PER INSTRUCTION
NUMBER 5.

REV A



NOTE: NEW PANEL MOUNTING
BRACKET (P.N.1998A) RIVET/WIRE
LOCATION

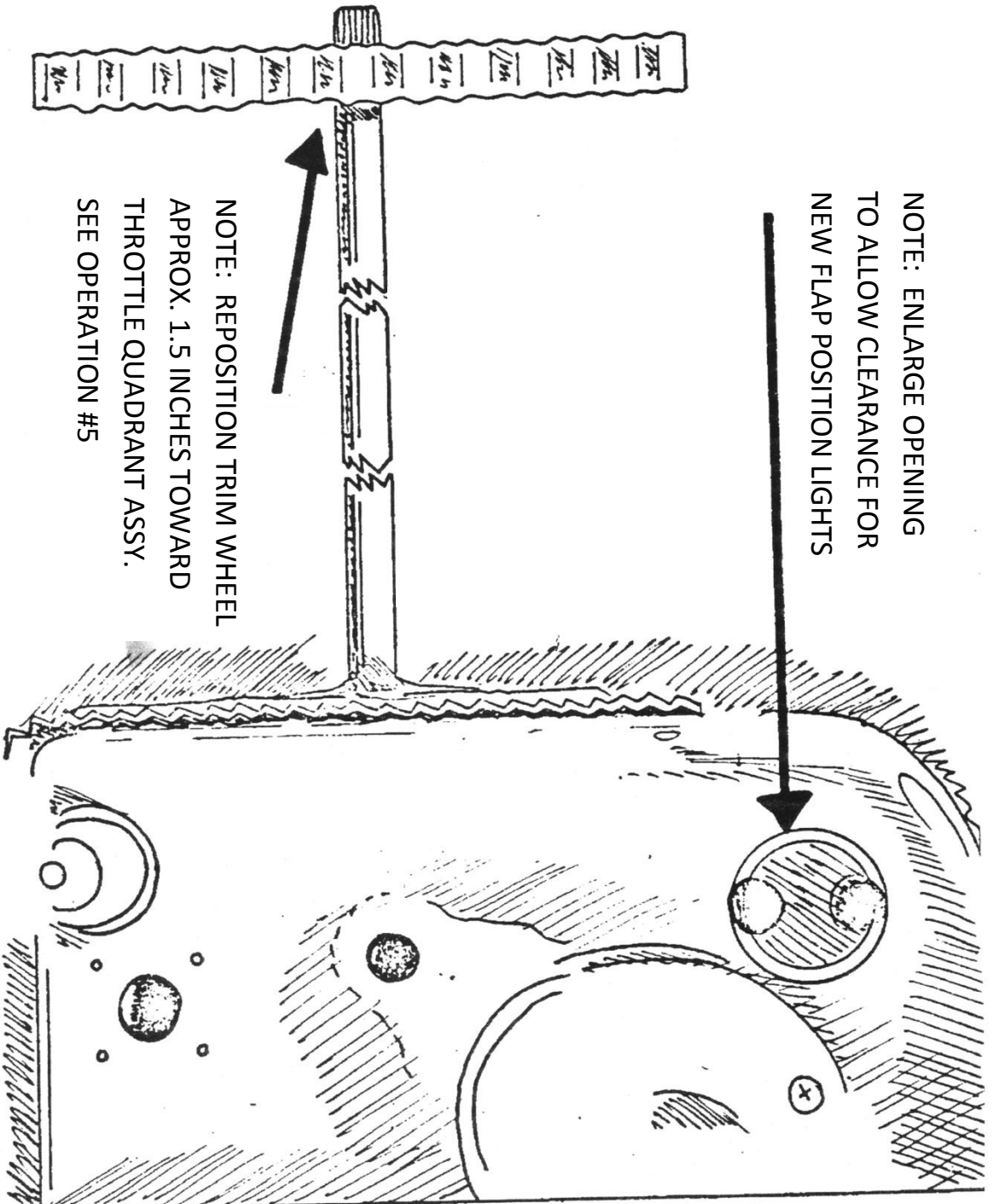
PAGE 5 OF 7

BRACKET ILLUSTRATION

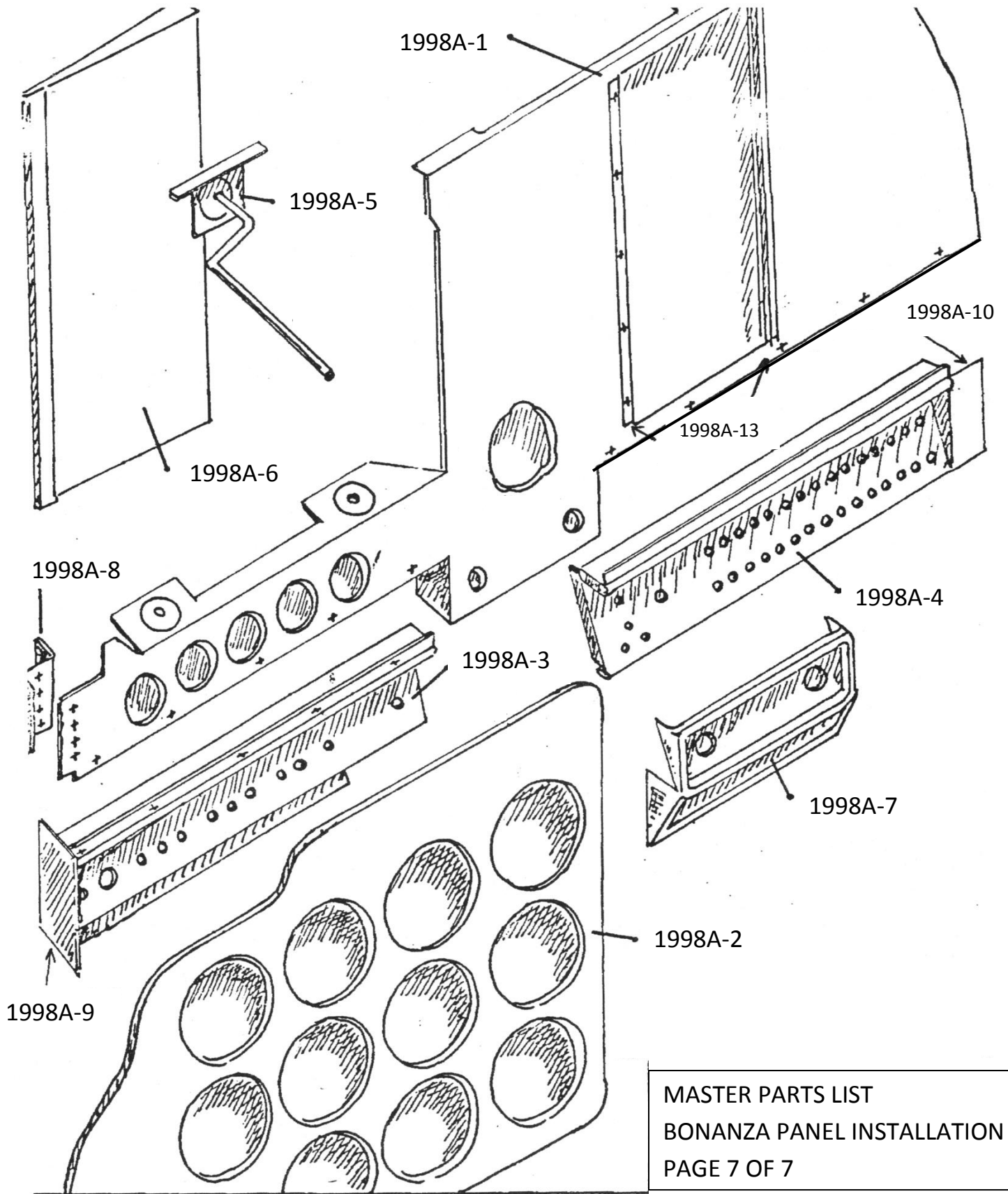
DWG. NO. 1998ASUP5

REV A

NOTE: ENLARGE OPENING
TO ALLOW CLEARANCE FOR
NEW FLAP POSITION LIGHTS



NOTE: REPOSITION TRIM WHEEL
APPROX. 1.5 INCHES TOWARD
THROTTLE QUADRANT ASSY.
SEE OPERATION #5



MASTER PARTS LIST
BONANZA PANEL INSTALLATION
PAGE 7 OF 7

